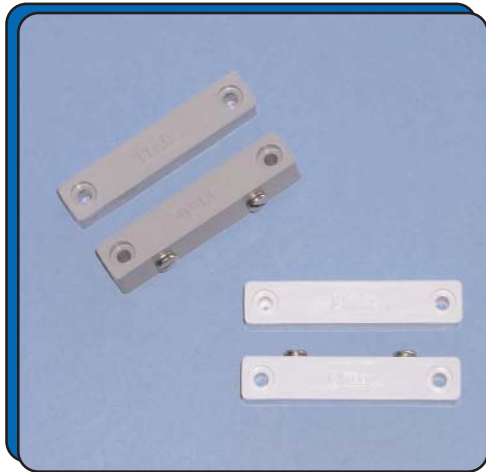
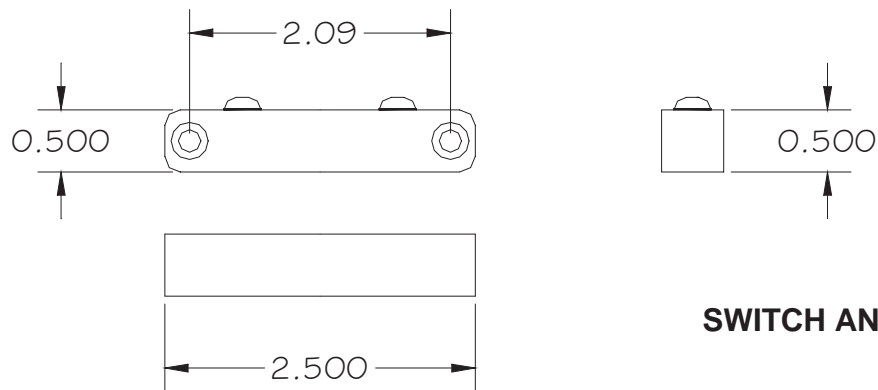


**2 1/2" LONG SURFACE MOUNT
MAGNETIC CONTACT
1000-53 SERIES**



FEATURES:

- * 2 1/2" Long Screw Mount Magnetic Contact
- * Terminals
- * Epoxy sealed for maximum resistance to harsh environment
- * Colors: White, Brown and Gray
- * Contacts and Magnets available separately
- * E.O.L. Resistors, Diodes and Supervisory Loops Available
- * Lifetime Warranty
- * Safety Approvals



Part Number	Loop Type	Electrical Configuration	Gap (Inch / mm)	Maximum Initial Contact Resistance (Ohm)	Maximum Contact Rating (W)	Maximum Switching Voltage (VDC/VAC)	Maximum Switching Current (A)
1000-53W	Closed	N/O	1 (25.4)	.100	10	100	.500
1000-51W	Open	N/C	1 (25.4)	.100	3	30	.200
1000-52W	Open/Closed	SPDT	1 (25.4)	.100	3	30	.200
1000-72	Closed	N/O	1 1/2 (38.1)	.100	10	100	.500